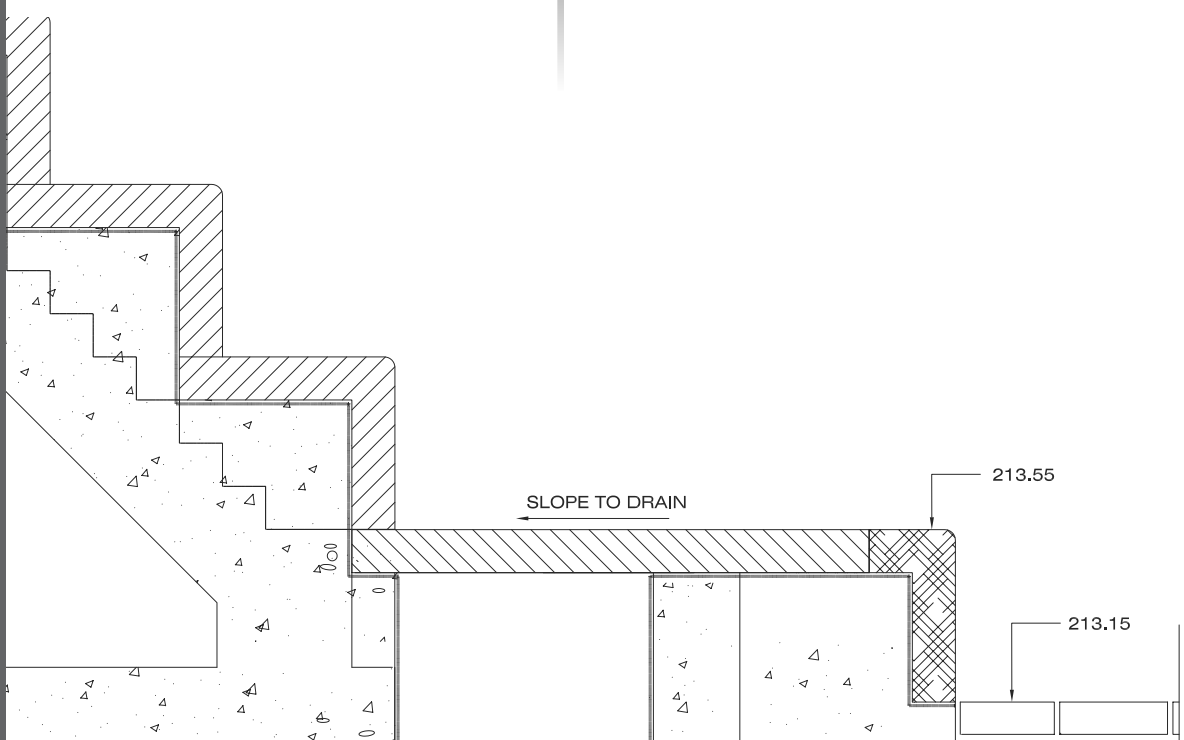


# Guidelines for the Engineer & Designer

FRP Grating, Guardrail, Handrail, Ladders & Structural Shapes



HIGH PERFORMANCE COMPOSITE SOLUTIONS



# Guidelines for the Engineer & Designer

## 1.0 GENERAL

- 1.1 The purpose of this guideline is to assist the engineer/designer in designing FRP (Fiberglass Reinforced Plastic) pedestrian walkways utilizing molded and pultruded gratings, railing systems, ladder systems, and structural members. The guideline includes recommended sizes and configurations, recommended design criteria, and referenced standards, where applicable.
- 1.2 Drawing details of the FRP systems described in this guideline are also available at [www.fibergrate.com](http://www.fibergrate.com).

## 2.0 FRP GRATINGS AS PEDESTRIAN WALKWAYS

### 2.1 Gratings

- 2.1.1 Fibergrate Composite Structures, Inc. FRP gratings are manufactured by open molding or pultrusion processes. Molded gratings are available in a variety of stock panel sizes (i.e. 3' x 10', 4' x 8', 5' x 10', and 4' x 12' for 1-1/2" deep, 1-1/2" square mesh gratings). The designer should consider these sizes at the early stages of structure layout to efficiently utilize the material and minimize installation costs.

Molded gratings are available in a variety of resin systems and colors to meet specific project requirements. Detailed descriptions of the resin systems available are included in the Fibergrate Molded Product brochures.

Pultruded gratings are available in two resin systems and two colors. Detailed descriptions of these are given in the *Safe-T-Span® Fiberglass Pultruded Grating brochure*.

## 2.2 Minimum Grating Design Criteria

Pedestrian Loads*	
<b>Uniform Live Load</b>	50 lb/ft <sup>2</sup> - 65 lb/ft <sup>2</sup>
<b>Concentrated Load</b>	250 lb
<b>Dead Load</b>	3.75 lb/ft <sup>2</sup>
<b>Maximum Deflection</b>	Span L/120 or 3/8" (whichever is less)

\*Note that these design criteria are minimums, but exceed general building code requirements for office space. Other criteria are commonly used in specifications. For pedestrian walkways in industrial applications, the above are sufficient and are recommended to prevent excessive cost.

## 2.3 Application Notes: Molded FRP Gratings

- 2.3.1 Molded grating spans should be kept to 36" or 48" from center to center of supporting members to most efficiently utilize grating panels. Typically, 1" deep molded gratings have acceptable deflections at spans up to 3'-0". 1-1/2" deep molded gratings are acceptable for spans from 3'-0" to 3'-6", and 2" deep molded gratings are acceptable for spans from 4'-0" to 4'-6".
- 2.3.2 Grating panels installed over multiple spans will further reduce deflections. The deflection of the grating can be determined using standard AISC beam formulas and grating properties provided in the Fibergrate Molded Product brochures.
- 2.3.3 Molded gratings may be cantilevered as required to a maximum distance of 6" (for 1" deep gratings) and up to 12" (for 1-1/2" and 2" deep gratings) from the centerline of the last supporting member. Gratings used in this way must be held down to a minimum of two supports and have a minimum of three hold down clips at each interior support to prevent overturning of the grating panel.
- 2.3.4 Hold Down Clips: Gratings shall be firmly fastened to their supports using a minimum of two "M" style hold down clips at a maximum spacing of 4'-0" on center per support beam with a minimum of four hold down clips per grating panel. Gratings installed in shallow, narrow trenches may be installed without hold down clips if the grating is adequately restrained to prevent horizontal sliding, vertical lifting, or tipping.

# Guidelines for the Engineer & Designer

- 2.3.5 Covered Gratings: Due to the nature of the manufacturing process, covered gratings are often slightly warped. As a result of this, covered gratings may rock and pose a trip hazard if they are not secured with the appropriate hold down clips. It is Fibergrate policy to recommend hold down clips for all covered grating applications. Fibergrate recommends "WLP" type hold down clips for holding down covered gratings.
- 2.3.6 Abutting edges of molded grating panels should be supported by structural members or fastened together using "F" style clips at a maximum spacing of 24" on center. This will prevent differential deflection when one of the abutting gratings is loaded.
- 2.3.7 Due to the bi-directional nature of square mesh molded gratings, unsupported holes of limited size may be cut into the edges or interior of the panels without the use of additional supports. This is very useful for applications which involve pipe penetrations. As a rule of thumb, as long as no more than 1/3 of the individual grating panel width is removed by such a hole, no additional support will be required.
- 2.3.8 Edge Banding: Unlike steel and aluminum gratings it is not necessary to edge band molded gratings for structural reasons. As FRP cannot be welded, edge banding will not transmit load to the grating. Fibergrate only recommends edge banding where personnel may be passing through the grating to prevent injury from stub bars.
- 2.3.9 Molded Grating Details: The attached drawings (A and B) give details of the "M" style hold down clip and the "F" style abutment clip.

## 2.4 Application Notes: Pultruded Gratings

- 2.4.1 As with molded gratings, pultruded gratings may also be used on multiple spans to reduce deflections. AISC beam formulas and grating design procedures apply.
- 2.4.2 Like molded gratings, edge banding is not required for pultruded gratings. Due to the construction of this type of grating, it is very difficult to install banding.
- 2.4.3 Pultruded Grating Details: The attached drawings (G and H) give details of the "M" and "FC" style hold down clip. Gratings must be mechanically fastened in place to prevent sliding. Gratings shall be firmly fastened to their supports using a minimum of two style hold down clips at a maximum spacing of 4'-0" on center per support beam with a minimum of four hold down clips per grating panel. Gratings installed in shallow, narrow trenches may be installed without hold down clips if the grating is adequately restrained to prevent horizontal sliding, vertical lifting, or tipping.

## 3.0 DYNARAIL® FRP GUARDRAIL AND HANDRAIL SYSTEMS

### 3.1 Railing Arrangement & Dimensions

3.1.1 The Fibergrate Composite Structures' Dynarail® guardrail system consists of a 2-1/8" x 3/16" thick square tube post with two 1-3/4" x 1/8" thick square tube rails. The mid-rail passes through the post at a routed square hole and is riveted and bonded in place. The top rail is fitted into a u-shaped routed slot in the top of the post and is riveted and bonded in place. The system includes a 4" FRP toe-plate mounted at each post using a self tapping screw. The height of the top rail is 42" above the walking surface. Fibergrate's Dynarail handrail system (the offset rail that attaches to guardrails or walls) consists of 1-1/2" x 1/4" wall round tube, connectors and brackets. Recommended handrail installation height is 34" above walking surface or leading edge of stair tread. Railing systems are available in vinyl ester and polyester fire-retardant resin formulations in a safety yellow color.

### 3.2 Design Criteria

3.2.1 The railing systems are designed to meet the loading requirements of OSHA 1910.29 (b) and the International Building Code (IBC), a concentrated load of 200 lb downward or outward at any point on the rail or a uniform load of 50 lb/ft applied in any direction on the top rail. Loads are assumed not to act concurrently.

### 3.3 UV Protective Coatings

3.3.1 For applications where the railing system is to be used outdoors, a polyurethane based UV protective coating is recommended to preserve the long-term appearance of the railings.

### 3.4 Layout Guidelines

3.4.1 The following guidelines should be used in railing layout to most economically utilize this system and to maximize performance.

3.4.2 Post and offset handrail supports spacing: Post and offset handrail supports spacing must not exceed 6'-0" to meet OSHA and IBC loading requirements.

3.4.3 Inside or Outside Corners: Posts cannot be placed at corners. At interior or exterior corners, two posts should be placed within 12" of the corner, on both sides.

# Guidelines for the Engineer & Designer

- 3.4.4 **Post Location with Respect to Structure:** For side-mounted posts attaching to fiberglass structures, the post should be placed as close as practical but no more than 6" to an element which torsionally fixes the element to which the post is attached. This will prevent excessive rotation of the structural element when the posts are under load.
- 3.4.5 **Number of Posts Per Section:** A minimum of two posts per straight guardrail section are recommended to improve durability in shipping and erection.

## 3.5 Guardrail and Handrail System Details

- 3.5.1 Refer to the attached drawings for railing assembly details, splicing, and post base mountings.

## 4.0 DYNARAIL® FRP LADDER SYSTEM

### 4.1 Ladder Arrangement & Dimensions

- 4.1.1 The Fibergrate Composite Structures Dynarail® ladder system is designed to meet the configuration requirements of OSHA 1910.23 and consists of 1-3/4" x 1/4" thick square tube rails and 1-1/4" diameter x 1/4" thick fluted rungs. There is a clear horizontal distance of 18" between the inside of the rails and a center to center distance between rungs of 12". Ladders are available in vinyl ester and polyester fire-retardant resin formulations in a safety yellow color. The designer is referred to the Dynarail® Fiberglass Guardrail, Handrail & Safety Ladders brochure for further description of this system.

### 4.2 Loading Requirements

- 4.2.1 This ladder system is designed to meet the loading requirements of ANSI 14.3, "American National Standard for Ladders -Fixed – Safety Requirements". The ladder rungs are designed to meet the ANSI minimum live load requirement of a 250 lb concentrated load at the mid-point of the rung. The installed ladder is designed to support two 250 lb concentrated loads located between any two consecutive attachments.

## **4.3 Support Requirements**

4.3.1 Ladders will require support back to a wall or solid structure at intervals not to exceed 6'-0". Exceeding this spacing will result in a ladder installation that is too flexible for comfort or safety. Ladders are required to be base supported to structure or back to a wall or solid structure. All ladders are to include a minimum of one base support. The standard ladder wall mount bracket is not capable of supporting a vertical load. Ladders that cannot be base supported should include one pair of bottom wall brackets engineered to support design loads.

## **4.4 Fall Protection System Requirements**

4.4.1 The designer is referred to OSHA 1910.28 (b) (9), for ladders extending 24 feet or more above a lower level. Beginning on November 18, 2018, all new ladders greater than 24 feet in height be equipped with a personal fall arrest system or a ladder safety system. Per OSHA 1929.29 (i), ladder safety systems and their supports must be capable of withstanding, without failure, a drop test consisting of an 18-inch (41-cm) drop of a 500-pound (227-kg) weight. Fibergrate has conducted tests on its ladder systems to verify that they meet these requirements.

4.4.2 The designer is referred to OSHA 1910.28 and 1910.29 for any additional requirements related to ladder configuration.

## **4.5 Ladder System Details**

4.5.1 Refer to the attached drawings for ladder system splicing, and mounting details.

## **5.0 DYNAFORM® FRP STRUCTURAL MEMBERS**

### **5.1 Availability**

5.1.1 Dynaform® structural shapes are available in FRP in the common structural shapes: angle, channel, square and round tubes, I-sections and W-sections. These are available in fire retardant vinyl ester (beige), fire retardant polyester (dark gray) and non-fire retardant polyester (green).

# Guidelines for the Engineer & Designer

## 5.2 Design Criteria

5.2.1 The following design criteria is recommended for use in FRP structural members used as beams for supporting live loads plus the dead load of the FRP structure. Higher safety factors and deflection ratios may be needed for other conditions.

FRP Structural Shapes*	
<b>Maximum Deflection</b>	L/180
<b>Allowable Bending Stress</b>	*10,000 psi (F.S. = 3)
<b>Allowable Shear Stress</b>	1,500 psi (F.S. = 3)
<b>Allowable Bearing Stress</b>	10,000 psi (F.S. = 3)

\*Assumes adequate lateral bracing of compression flange, see 5.6 and a  $b/t \leq 12$  (flange width-to-flange thickness ratio). Using a column failure analogy, we refer you to the Dynaform® Fiberglass Structural Shapes Design Guide.

## 5.3 Preferred Sizes

5.3.1 The table below gives a list of preferred sizes for FRP structural members. These sizes are available from stock without the added cost and delay of a mill run. Members are stocked in 20'-0" lengths.

FRP Structural Shapes	
Shape Name	Shape Size
Equal Leg Angles	3" x 1/4", 3" x 3/8", 4" x 1/4", 4" x 3/8", 4" x 1/2"
Channels	6" x 1-5/8" x 1/4", 8" x 2-3/16" x 3/8", 10" x 2-3/4" x 1/2"
I - Sections	8" x 4" x 3/8", 12" x 6" x 1/2"
Wide Flange Sections	4" x 4" x 1/4", 6" x 6" x 1/4", 6" x 6" x 3/8", 8" x 8" x 3/8"

## 5.4 Beam and Column Selection Tables

5.4.1 The Dynaform® Fiberglass Structural Shapes Design Guide provides tables for selecting the common sizes of FRP structural members used as columns and beams. Note that these tables are based on adequate lateral support of the compression flange of bending members (see Section 5.6, Lateral Support Requirements). The Design Guide also provides information on corrosion resistance, section dimensions and properties, mechanical and physical properties, and thermal effects.



## 5.5 Availability of Other Shapes and Mill Run Quantities

5.5.1 Non-stock shapes can be obtained in mill run quantities. Consult Customer Service for availability. These members may be used economically if they are ordered in these quantities.

## 5.6 Lateral Support Requirements

5.6.1 The table below gives the maximum lateral support spacing required to produce the full bending capacity of these members.

<b>Lateral Support Requirements - FRP Structural Shapes</b>			
<b>Member</b>	<b>Lateral Support Spacing</b>	<b>Member</b>	<b>Lateral Support Spacing</b>
C6" x 1/4"	48"	W4" x 1/4"	60"
C8" x 3/8"	60"	W6" x 1/4"	84"
C10" x 1/2"	60"	W6" x 3/8"	96"
I4" x 1/4"	24"	W8" x 3/8"	108"
I6" x 1/4"	36"	W10" x 3/8"	156"
I8" x 3/8"	48"	W12" x 1/2"	168"
I10" x 3/8"	60"		
I12" x 1/2"	84"		

## 5.7 Connection Details

5.7.1 The attached drawings include example connection details for use with fiberglass structural shapes used as beams and columns. Note that these details are examples only and that Fibergrate Composite Structures will perform the detailed design needed to meet the loading requirements. Fibergrate Composite Structures can provide standard connection details designed to exceed the ultimate capacity of all standard FRP beams available.

5.7.2 The following tables outline allowables and requirements that should be considered when designing and detailing connections.

# Guidelines for the Engineer & Designer

## STRUCTURAL CONNECTIONS

### BEARING ON FRP

### Bolt Allowable for Given FRP Plate Thickness (1)

Material Thickness	Bolt Diameter				
	3/8"	1/2"	5/8"	3/4"	1"
1/8"	469	625	781	938	1250
1/4"	938	1250	1563	1875	2500
3/8"	1406	1875	2344	2813	3750
1/2"	1875	2500	3125	3750	5000
3/4"	2813	3750	4688	5625	7500
1"	3750	5000	6250	7500	10000

(1) BEARING on FRP plate or web controls (Factor of Safety = 3.0;  $F_p = 10,000$  psi)

The designer must confirm that no other component of connection controls.

### BOLT SHEAR

### Bolt Allowable for Given Bolt Diameter (2)

Bolt Type & Application	Bolt Diameter				
	3/8"	1/2"	5/8"	3/4"	1"
316SS - Single Shear (3)	1408	2503	3912	5633	10014
316SS - Double Shear	2816	5007	7823	11265	20027
FRP Threaded Rod (4) Single Shear	300	600	900	1000	2050
FRP Threaded Rod Double Shear	600	1200	1800	2000	4100

(2) The designer must confirm that no other component of connection controls.

(3) SHEAR of bolt controls.  $F_v = 0.17 * F_U = 0.17 * 75,000$  psi = 12,750 psi

(4) SHEAR of FRP threaded rod controls (Factor of Safety = 4.0).

Ultimate values from Dynaform® Fiberglass Structural Shapes Design Guide

### RATIO OF EDGE DISTANCE TO FASTENER DIAMETER (\* - "cl" is centerline)

	RANGE	RECOMMENDED
Edge Distance - cl* bolt to END	2.0-4.0	3.0
Edge Distance - cl* bolt to SIDE	1.5-3.5	2.5
Bolt Pitch - cl* to cl*	4.0-5.0	5.0

## 6.0 FRP STAIR SYSTEMS

### 6.1 Stair System Components

6.1.1 FRP structural shapes and special FRP gratings can be used in combination to create FRP stairs. The stair treads are typically made using 1-1/2" deep, 1-1/2" x 6" mesh molded Fibertred® grating panels with an integral reinforced, gritted nosing. These stair treads are available in the same resin systems and colors as molded grating. Fibertred® panels are manufactured in a 22-1/4" wide x 120" long panel and a 25-1/4" wide x 144" long panel with solid nosing along the 120" and 144" sides. These panels can be best utilized if stair tread widths are kept to 24", 30", 36" or 42" with depths of 11-1/4" or less. Pultruded grating stair treads are also available in the Safe-T-Span® product line. These are manufactured using standard pultruded gratings with a stiffened nosing. The nosing bars are painted a contrasting color.

### 6.2 Design Criteria

6.2.1 The designer is referred to OSHA 1910.25, "Stairways" for guidelines in the design of stair systems in general. The stair should be designed for a moving live load of 1,000 lb (500 lb/stair stringer).

### 6.3 Tread Deflections

6.3.1 Tread deflections are typically limited to L/150 or less. The table below gives the load-deflection performance of Fibertred® for spans up to 42". Spans greater than 42" will require a stiffened nosing or intermediate support to reduce deflections. The deflections are based on 250 lb and 500 lb point loads applied over a 4" wide x 6" deep load plate starting at the nosing edge to simulate the landing of a foot.

Load / Deflection Table: 1-1/2" Deep Fibertred®					
Load (LB)	Span (IN)				
	18	24	30	36	42
250	0.03"	0.05"	0.09"	0.16"	0.25"
500	0.06"	0.10"	0.19"	0.32"	0.50"

\*Load deflection tables for pultruded stair treads are available in the *Safe-T-Span® Fiberglass Pultruded Grating* brochure.

# Guidelines for the Engineer & Designer

## 6.4 FRP Stair Design Notes

- 6.4.1 Most stairs can be satisfactorily designed using up to 8" or 10" channels as stringers with the flanges outward. The stringer must be designed to meet the loading requirements given in section 6.3.1. The individual stair treads are supported by 2" x 2" x 1/4" angles bolted to the stringers with two 3/8" diameter bolts.
- 6.4.2 The stair guardrails are manufactured using a system identical to the one described in section 3.0 for FRP Guardrails and Handrails. The designer is referred to OSHA 1910.29 (f) "Handrails and Stair Rail Systems" for detailed configuration requirements. The guardrail should consist of a full 42" tall two rail guardrail with a separate handrail located at 30" – 38" above the line of tread nosings.
- 6.4.3 Long stair runs may require intermediate support using columns and may require bracing to prevent excessive side sway. (See Charts)

Stringer Design Table - OSHA Design Criteria		Horizontal Run in Feet																					
		1	2	3	4	5	6	7	8	9	10	11	12	13	14	15	16	17	18	19	20	21	
Vertical Rise in Feet	1	C8																					
	2		C8	C8																			
	3			C8	C8	C8																	
	4				C8	C8	C8																
	5					C8	C8	C8	C8														
	6						C8	C8	C8	C8	C8												
	7							C8	C8	C8	C8	C8	C8										
	8								C8	C8	C8	C8	C8	C8									
	9									C8	C8	C8	C8	C8	C8	C8							
	10										C8	C8	C8	C8	C8	C8	C8						
	11											C8	C8	C8	C8	C8	C10	C10	C10	C10			
	12												C8	C8	C8	C8	C8	C10	C10	C10	C10	C10	
	13													C8	C8	C8	C8	C10	C10	C10	C10	C10	C10
	14														C8	C8	C10	C10	C10	C10	C10	C10	C10
	15																C10	C10	C10	C10	C10	C10	C10
	16																	C10	C10	C10	C10	C10	C10
	17																		C10	C10	C10	C10	C10
	18																			C10	C10	C10	C10

Notes: 1. Slope range is 30 to 50 degrees.  
 2. OSHA does not limit the maximum rise.  
 3. Design is for a 1000 lb stair load, 500 lb point load/ stringer L/D ≥180.  
 4. C8 = C 8" x 2-3/16" x 3/8"; C10 = C 10" x 2-3/4" x 1/2".

# Guidelines for the Engineer & Designer

		Horizontal Run in Feet																				
		1	2	3	4	5	6	7	8	9	10	11	12	13	14	15	16	17	18	19		
Vertical Rise in Feet	1		C8																			
	2			C8	C8	C8																
	3					C8	C8	C8	C8													
	4							C8	C8	C8	C8	C8										
	5								C8	C8	C8	C8	C10	C10								
	6										C8	C8	C10	C10	C10	C10	C8*					
	7												C10	C10	C10	C10	C8*	C8*	C8*	C8*		
	8														C10	C10	C10	C8*	C8*	C8*	C8*	
	9																C8*	C8*	C8*	C8*	C8*	
	10																		C8*	C8*	C8*	C8*
	11																				C8*	C8*
	12																					C8*

**Notes:** 1. Slope range is 20 to 32.5 degrees.  
 2. Landings are required every 12' of rise.  
 3. Design is for a 100 psf uniform load, L/D ≥ 180.  
 4. C8 = C 8" x 2-3/16" x 3/8"; C10 = C 10" x 2-3/4" x 1/2".

\*Indicates that C8 stringers can be used if columns are installed at midspan of stringer. C10 will not work.

		Horizontal Run in Feet																				
		1	2	3	4	5	6	7	8	9	10	11	12	13	14	15	16	17	18	19		
Vertical Rise in Feet	1		C8																			
	2			C8	C8	C8																
	3					C8	C8	C8	C8													
	4							C8	C8	C8	C8	C10										
	5								C8	C8	C8	C10	C10	C10								
	6										C10	C10	C10	C10	C10	C8*	C8*					
	7											C10	C10	C10	C8*	C8*	C8*	C8*	C8*	C8*		
	8													C10	C8*	C8*	C8*	C8*	C8*	C8*	C8*	
	9															C8*	C8*	C8*	C8*	C8*	C8*	
	10																	C8*	C8*	C8*	C8*	
	11																				C8*	C8*
	12																					C8*

**Notes:** 1. Slope range is 20 to 32.5 degrees.  
 2. Landings are required every 12' of rise.  
 3. Design is for a 100 psf uniform load, L/D ≥ 180.  
 4. C8 = C 8" x 2-3/16" x 3/8"; C10 = C 10" x 2-3/4" x 1/2".

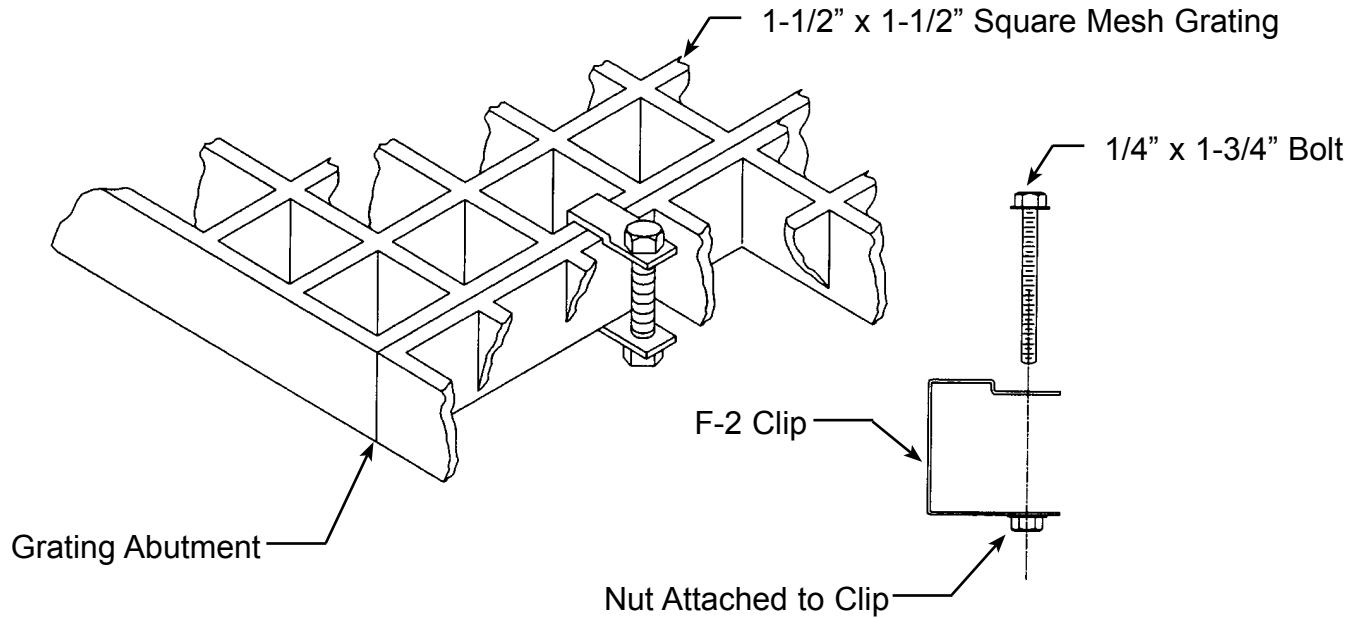
\*Indicates that C8 stringers can be used if columns are installed at midspan of stringer. C10 will not work.

## 6.5 FRP Stair Details

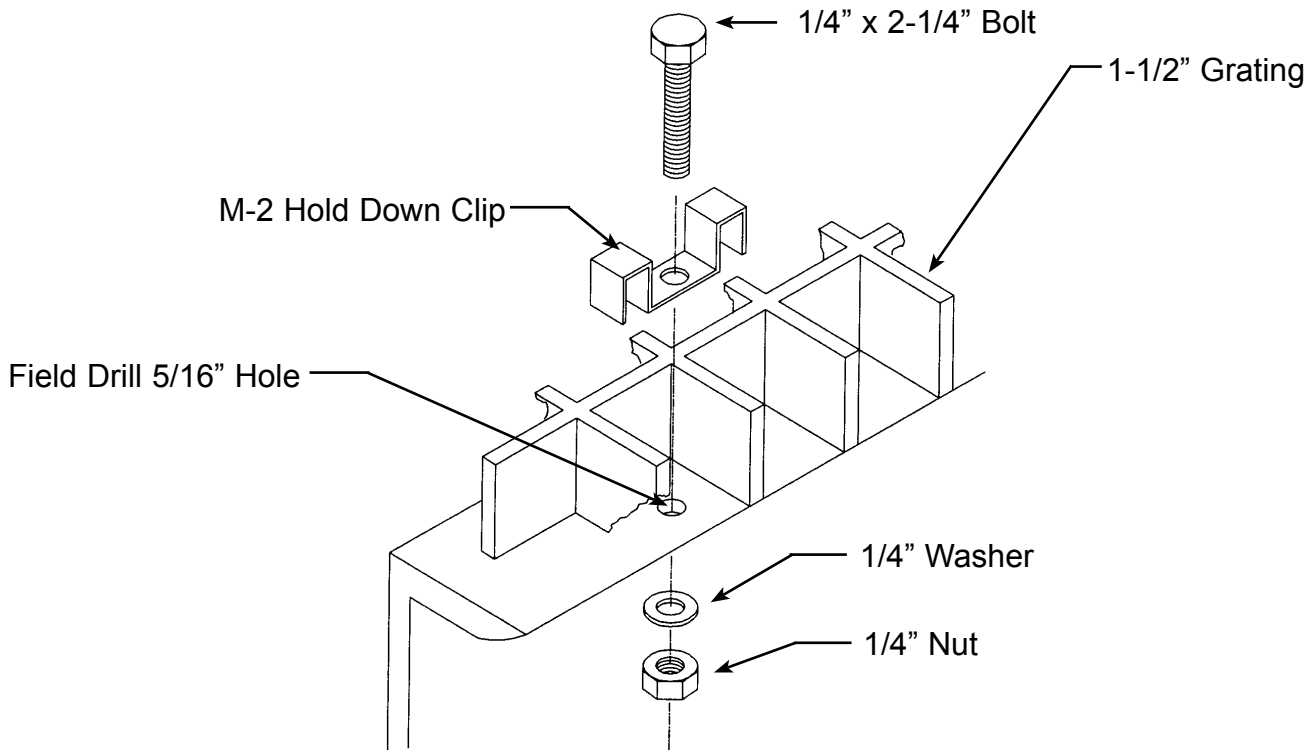
6.5.1 The attached drawings provide typical details of stair systems using channel stringers.

# Guidelines for the Engineer & Designer

## DRAWING A: F CLIP ASSEMBLY

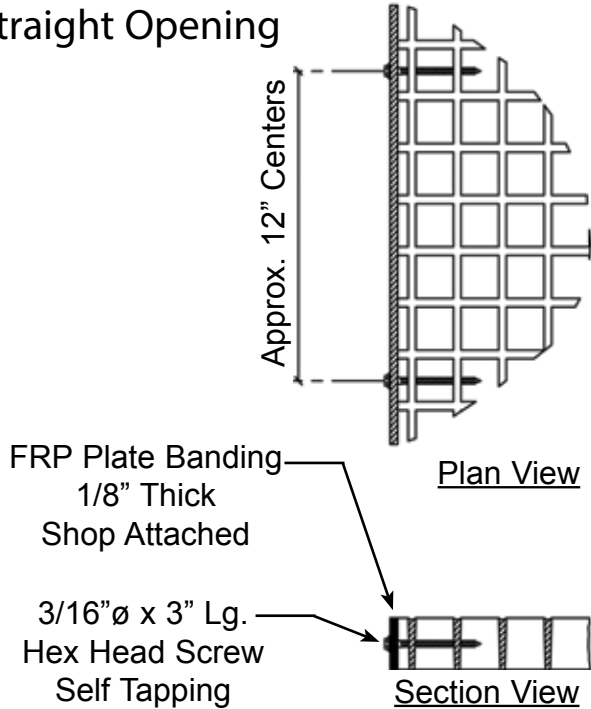


## DRAWING B: M CLIP ASSEMBLY

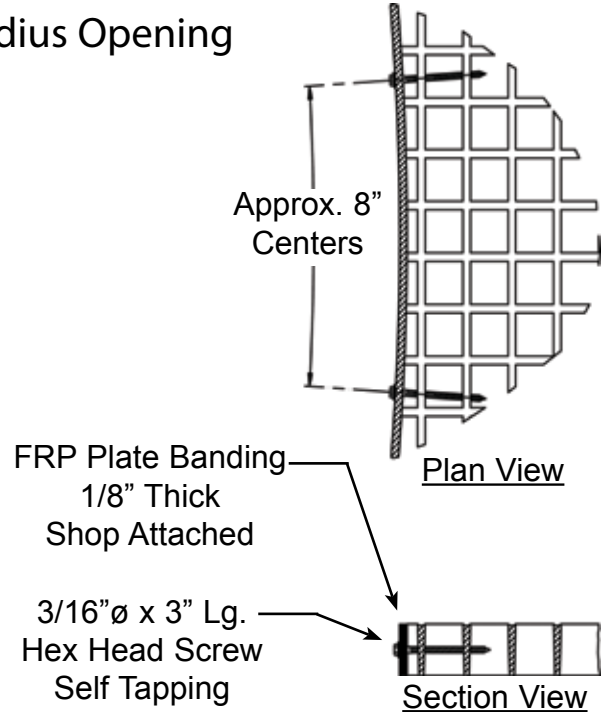


# Guidelines for the Engineer & Designer

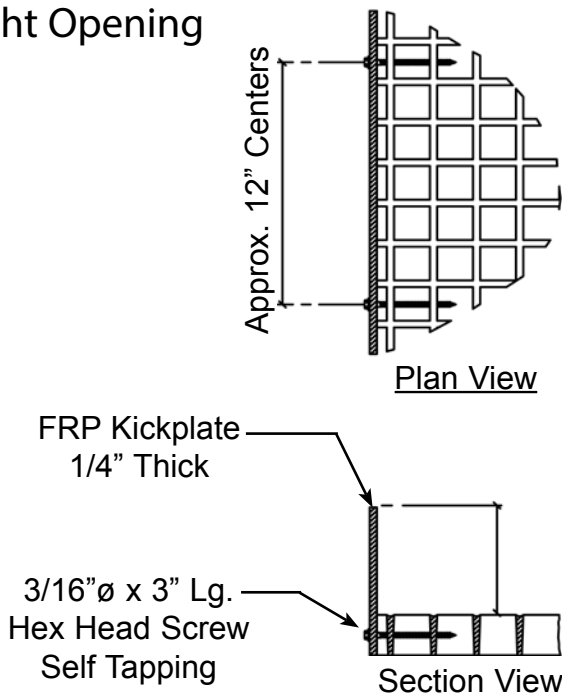
**DRAWING C:**  
FRP EDGE BANDING  
Straight Opening



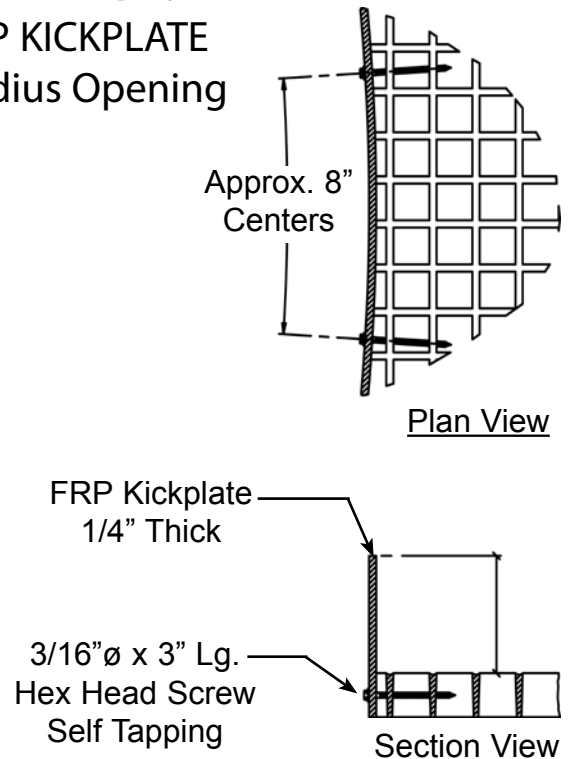
**DRAWING D:**  
FRP EDGE BANDING  
Radius Opening



**DRAWING E:**  
FRP KICKPLATE  
Straight Opening

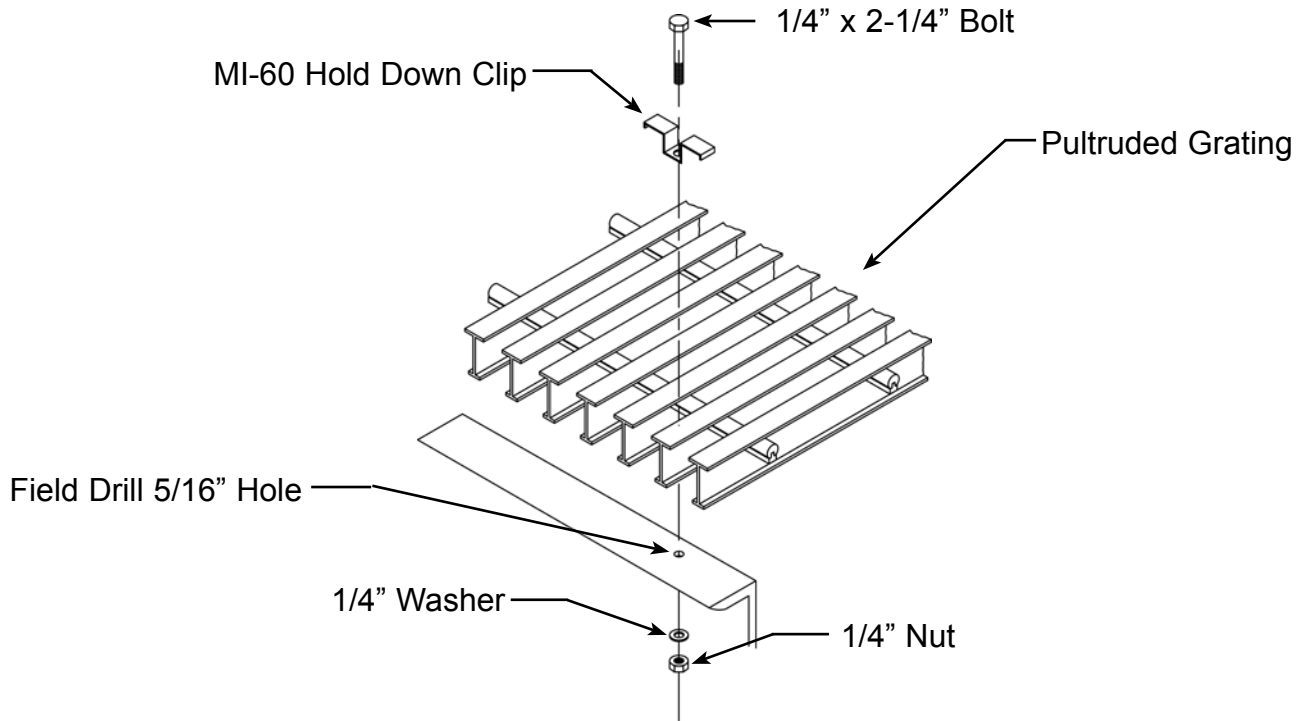


**DRAWING F:**  
FRP KICKPLATE  
Radius Opening

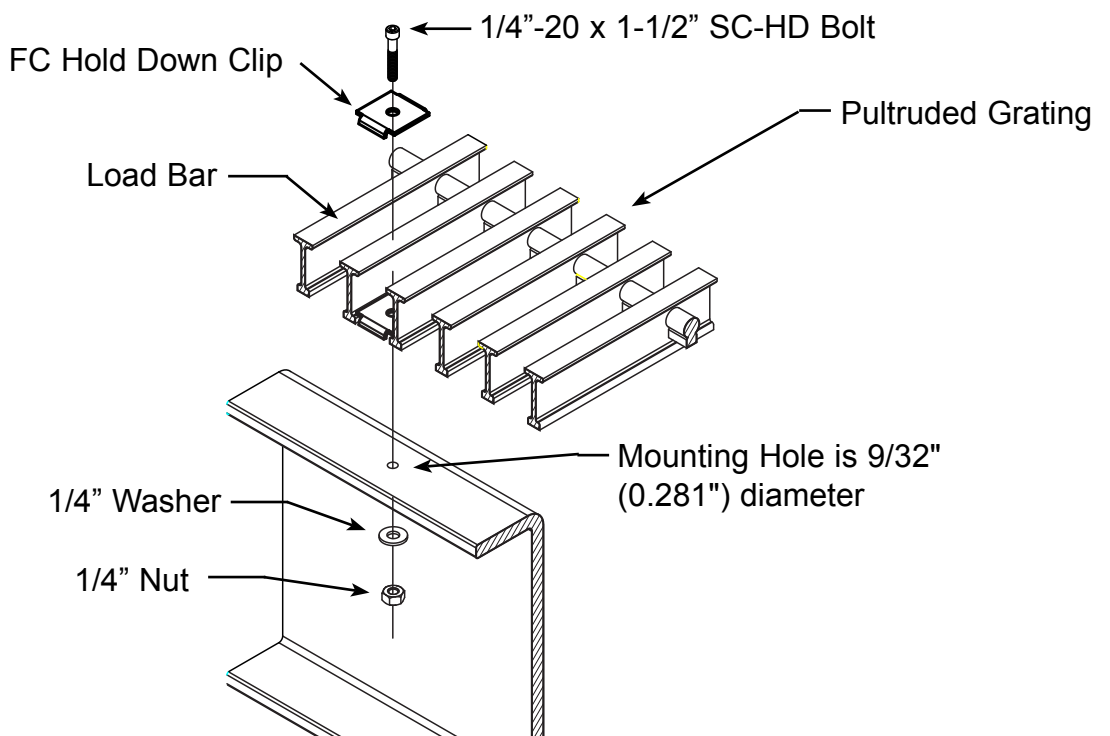


# Guidelines for the Engineer & Designer

**DRAWING G: MI-60 CLIP ASSEMBLY**



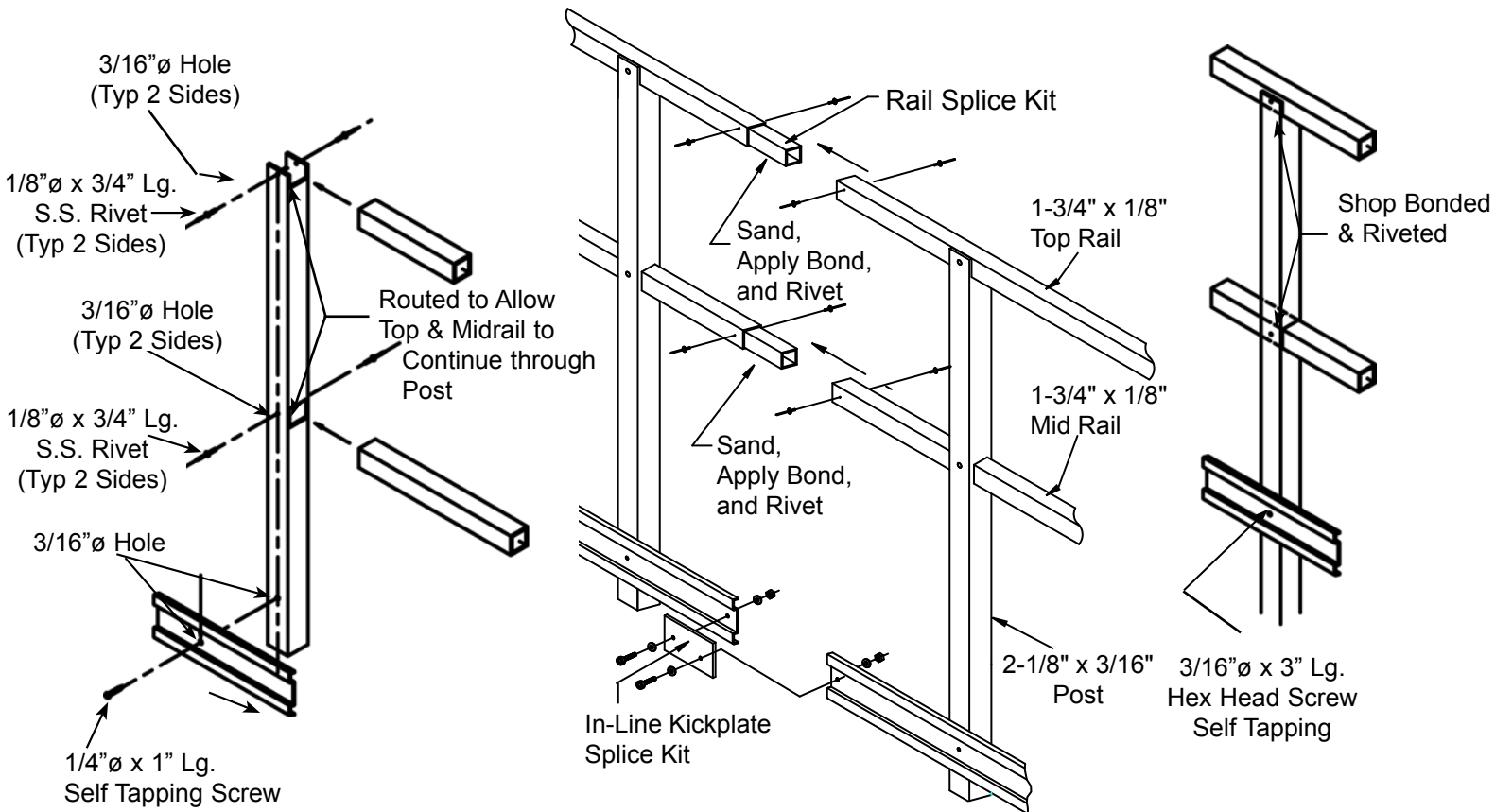
**DRAWING H: FC CLIP ASSEMBLY**



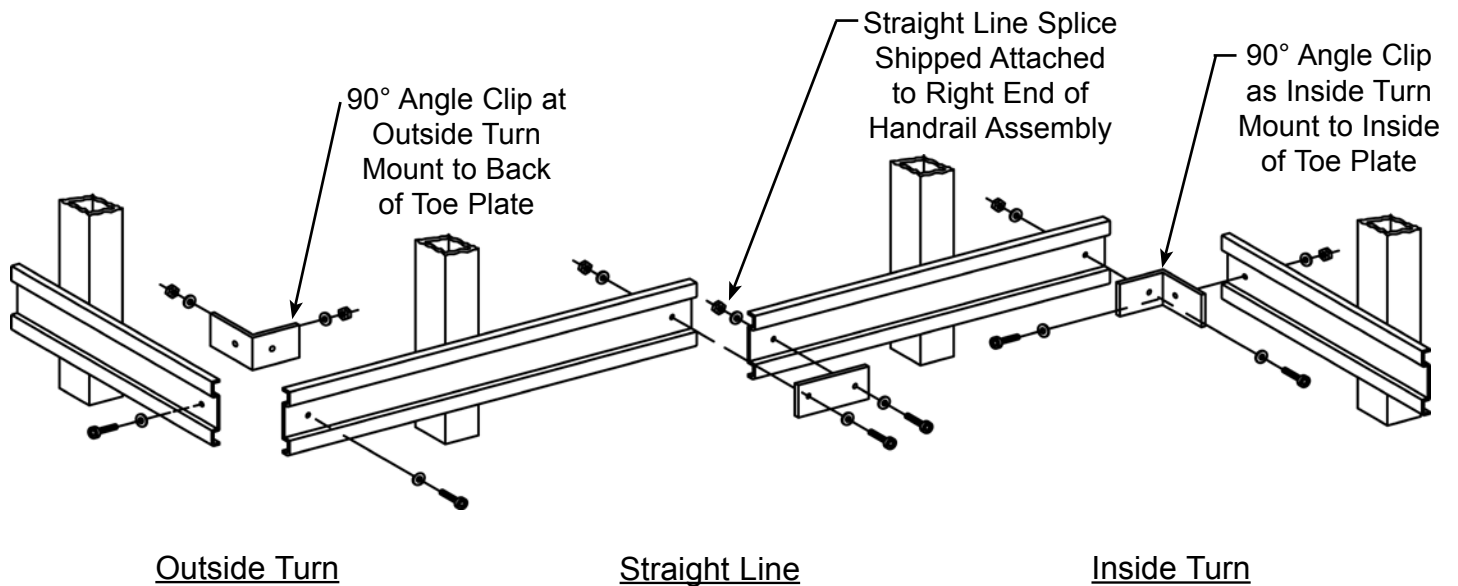


# Guidelines for the Engineer & Designer

## DRAWING I: FRP GUARDRAIL CONNECTIONS

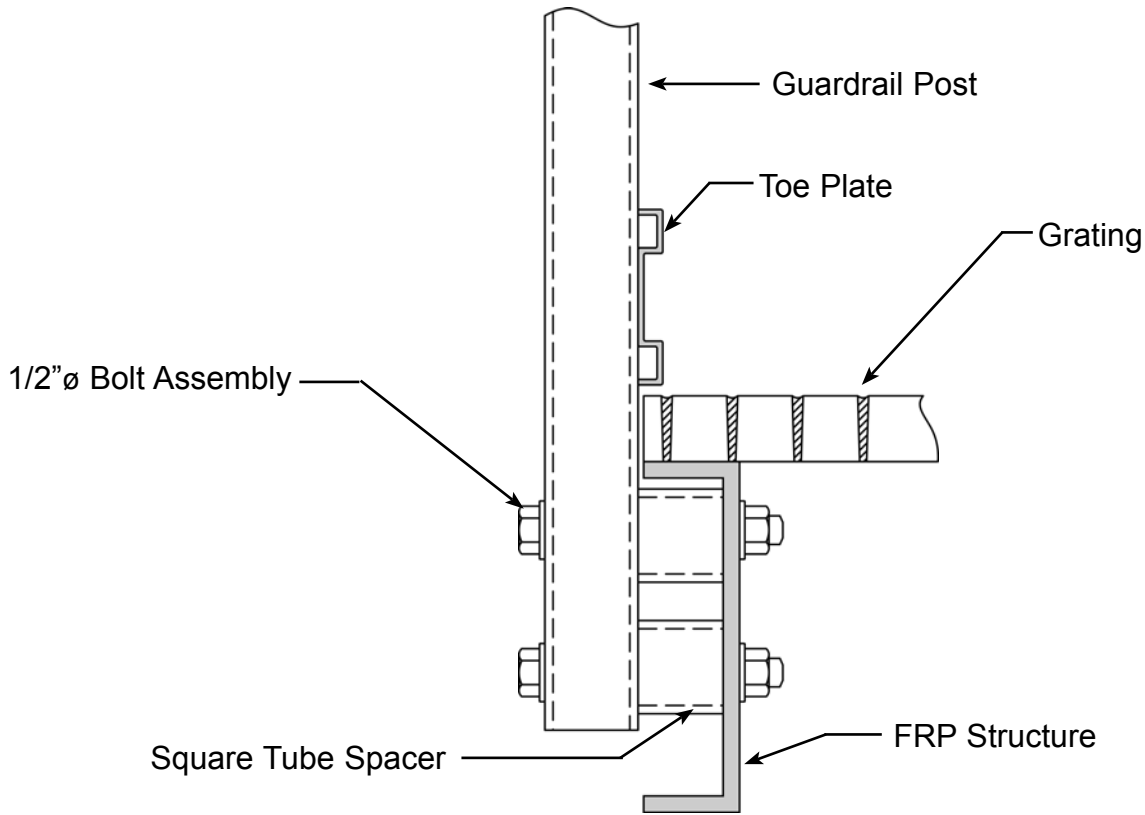


## DRAWING J: TOE PLATE SPLICE CONDITIONS

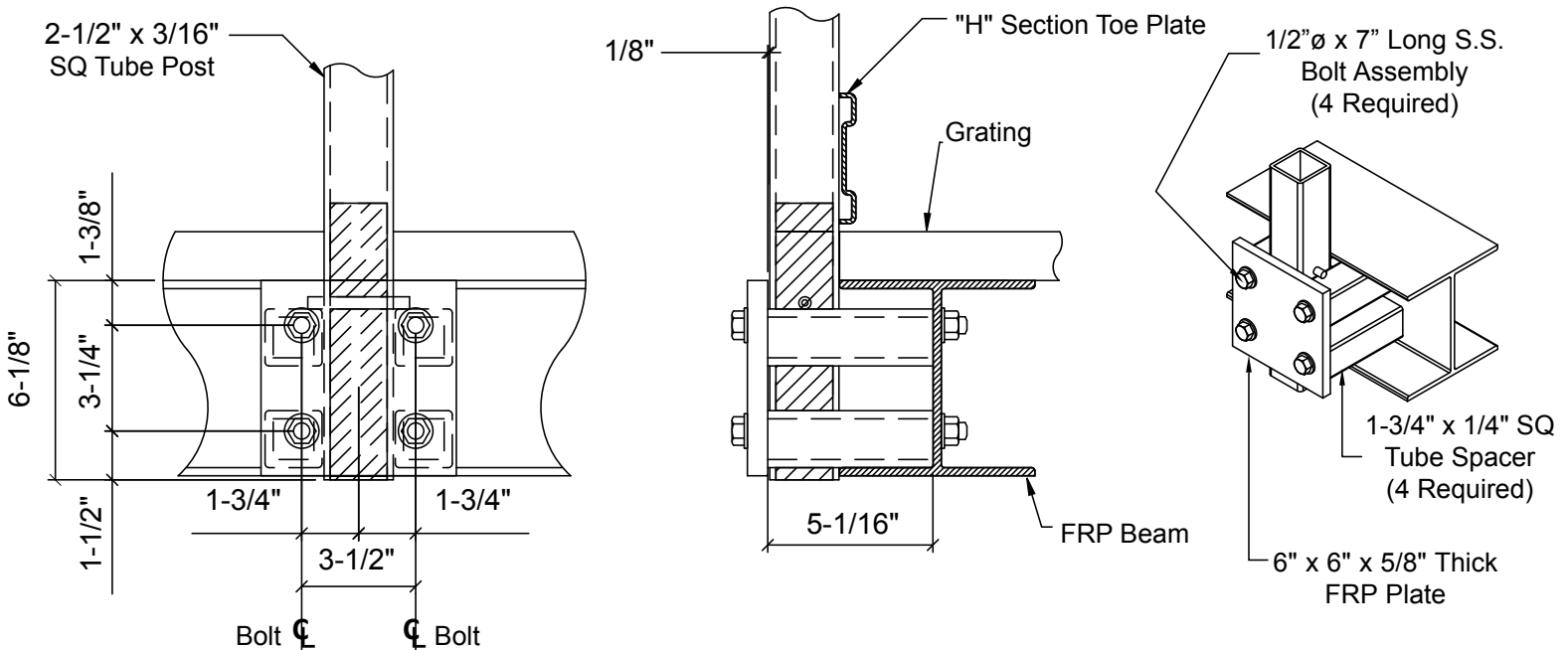


# Guidelines for the Engineer & Designer

**DRAWING K: GUARDRAIL POST TO FRP STRUCTURE CONNECTION**

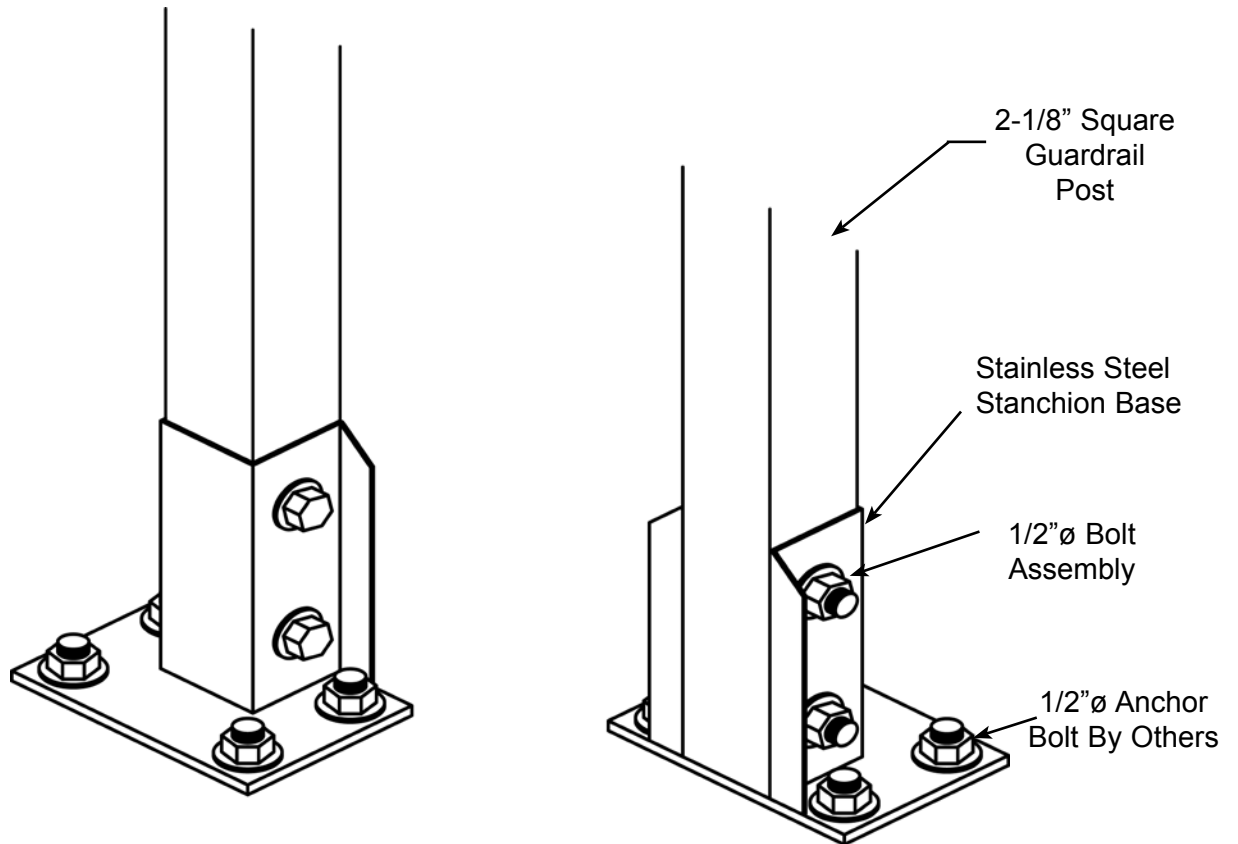


**DRAWING L: REMOVEABLE GUARDRAIL CONNECTION**

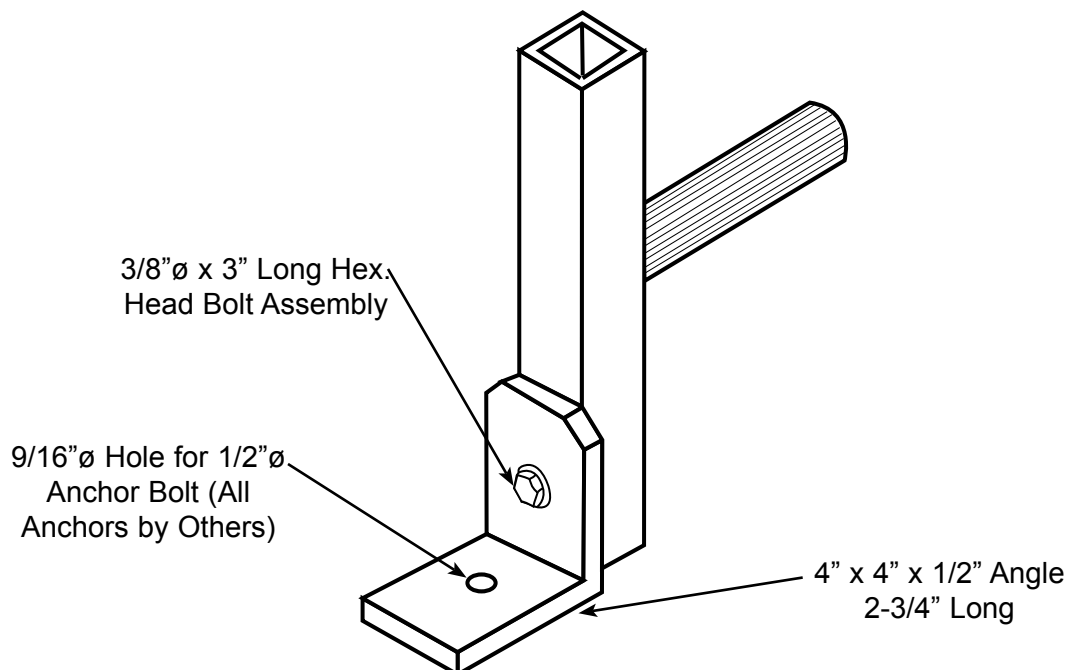


# Guidelines for the Engineer & Designer

## DRAWING M: STANCHION BASE

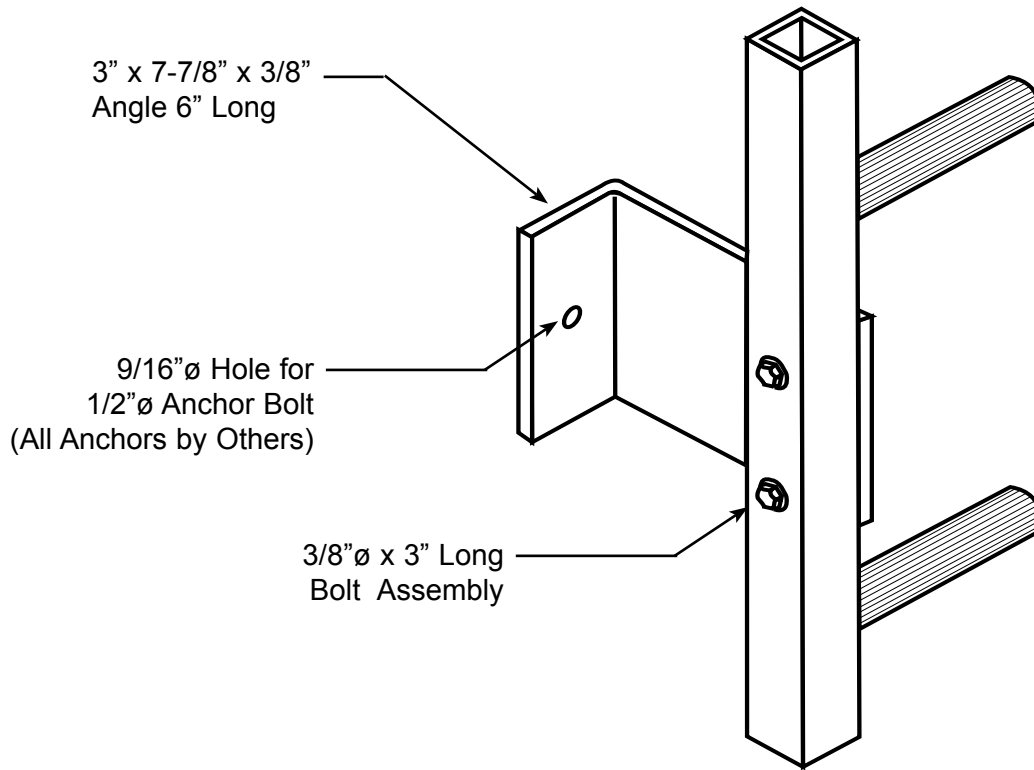


## DRAWING N: LADDER FLOOR MOUNT KIT

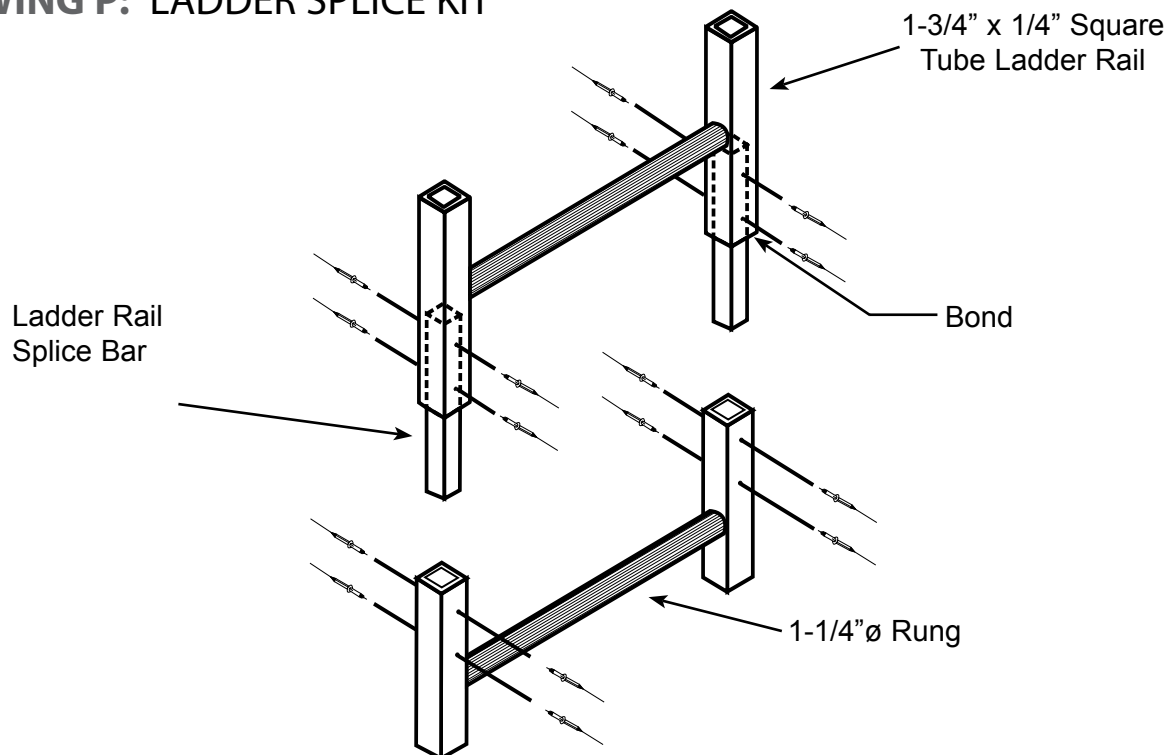


# Guidelines for the Engineer & Designer

## DRAWING O: LADDER WALL MOUNT KIT

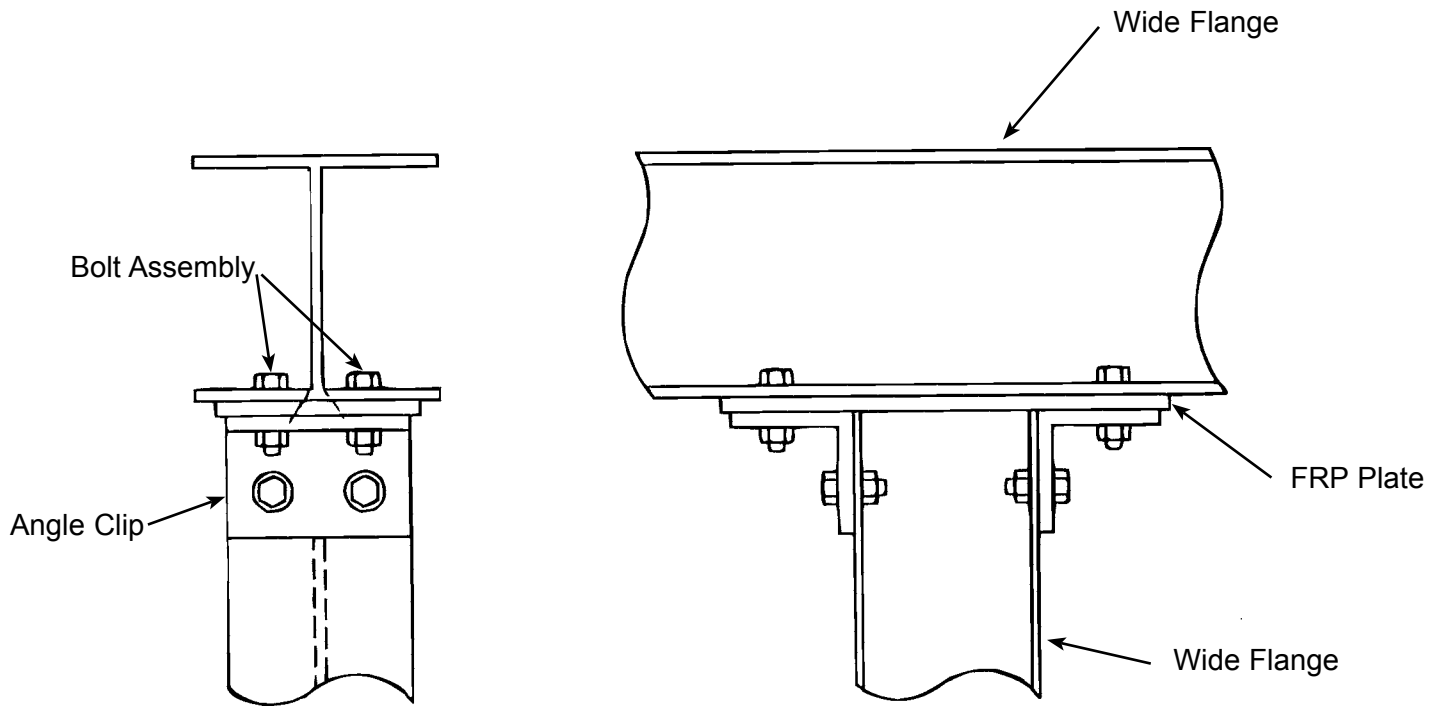


## DRAWING P: LADDER SPLICE KIT

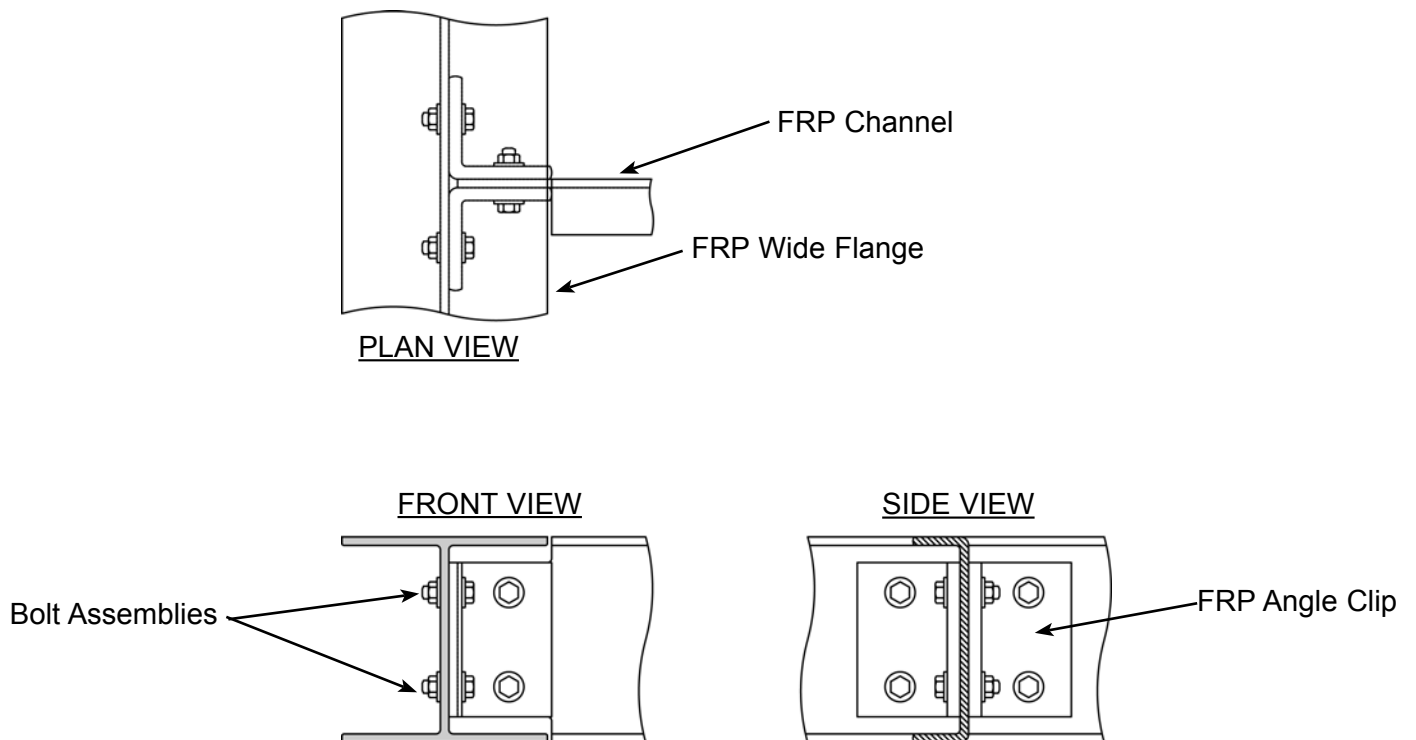


# Guidelines for the Engineer & Designer

## DRAWING Q: WIDE FLANGE COLUMN TOP

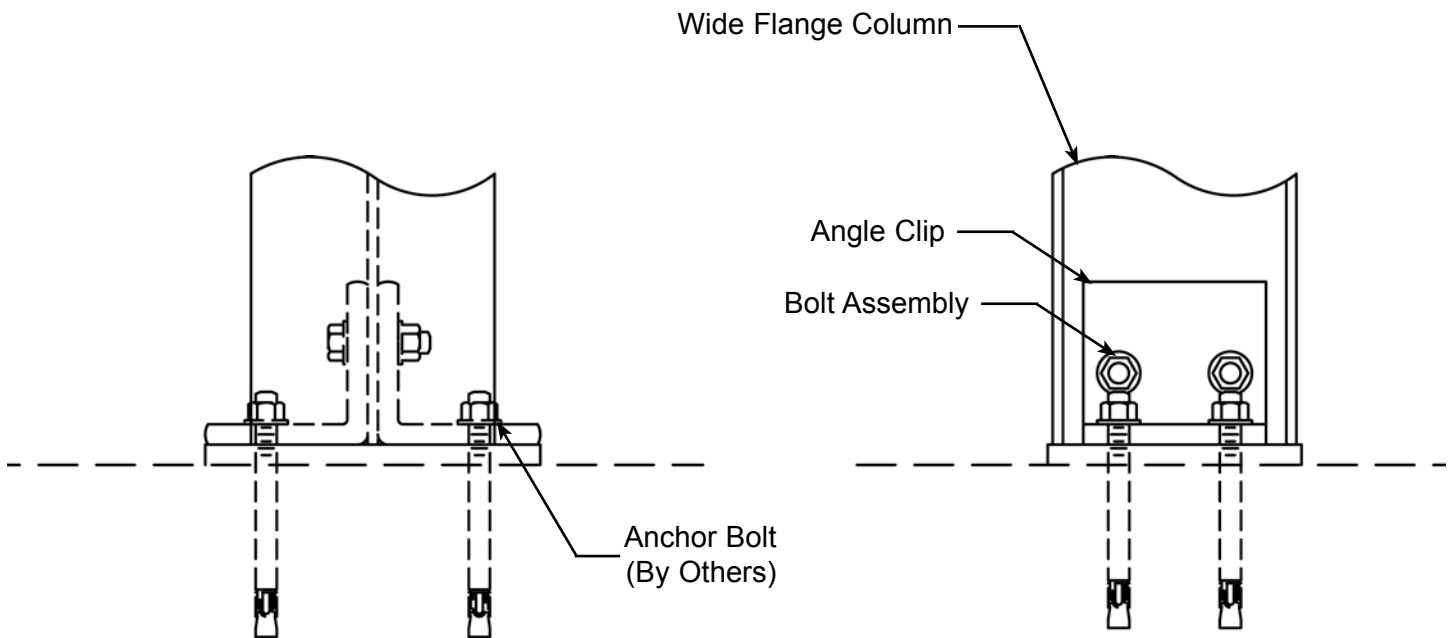


## DRAWING R: WIDE FLANGE TO CHANNEL CONNECTION

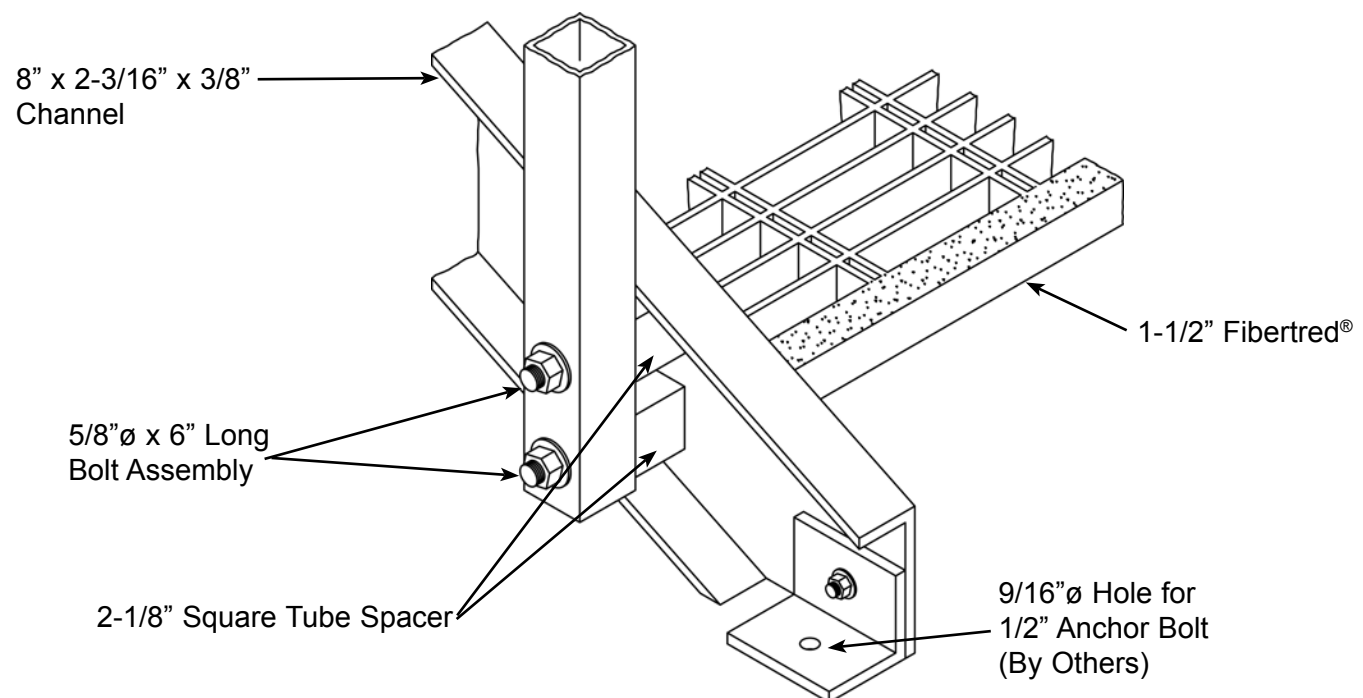


# Guidelines for the Engineer & Designer

## DRAWING S: WIDE FLANGE COLUMN BASE

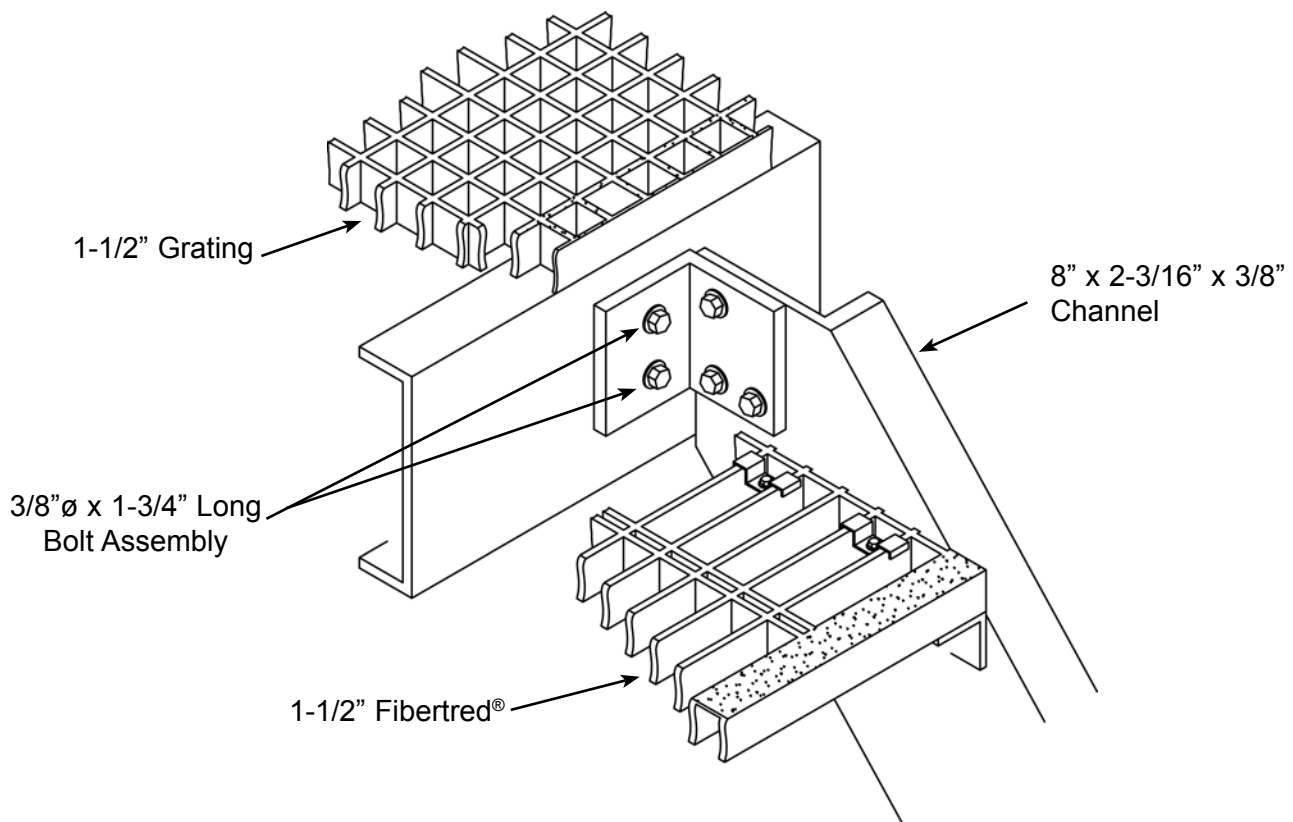


## DRAWING T: BOTTOM STAIR STRINGER MOUNT



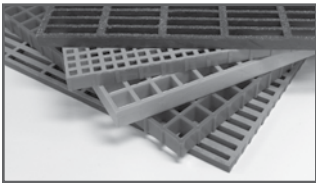
# Guidelines for the Engineer & Designer

## DRAWING U: TOP STAIR STRINGER MOUNT



# Fibergrate Products & Services

---



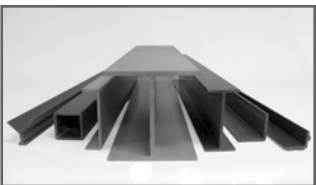
## Fibergrate® Molded Grating

Fibergrate molded gratings are designed to provide the ultimate in reliable performance, even in the most demanding conditions. Fibergrate offers the widest selection in the market with multiple resins and more than twenty grating configurations available in many panel sizes and surfaces.



## Safe-T-Span® Pultruded Industrial and Pedestrian Gratings

Combining corrosion resistance, long-life and low maintenance, Safe-T-Span® provides unidirectional strength for industrial and pedestrian pultruded grating applications.



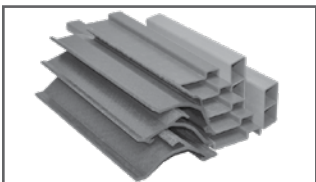
## Dynaform® Structural Shapes

Fibergrate offers a wide range of standard Dynaform pultruded structural profiles for industrial and commercial use, including I-beams, wide flange beams, round and square tubes, bars, rods, channels, leg angles and plate.



## Dynarail® & DynaRound™ Guardrail, Handrail & Ladders

Easily assembled from durable components or engineered and prefabricated to your specifications, Dynarail square tube and DynaRound round tube railing systems and Dynarail safety ladder systems meet or exceed OSHA and strict building code requirements for safety and design.



## Custom Composite Solutions

Combining Fibergrate's design, manufacturing and fabrication services allows Fibergrate to offer custom composite solutions to meet our client's specific requirements. Either through unique pultruded profiles or custom open molding, Fibergrate can help bring your vision to reality.



## Design & Fabrication Services

Combining engineering expertise with an understanding of fiberglass applications, Fibergrate provides turnkey design and fabrication of fiberglass structures, including platforms, catwalks, stairways, railings and equipment support structures.



## Worldwide Sales & Distribution Network

Whether a customer requires a platform in a mine in South Africa to grating on an oil rig in the North Sea, or walkways in a Wisconsin cheese plant to railing at a water treatment facility in Brazil; Fibergrate has sales and service locations throughout the world to meet the needs and exceed the expectations of any customer.

---

Fibergrate Composite Structures Inc. believes the information contained here to be true and accurate. Fibergrate makes no warranty, expressed or implied, based on this literature and assumes no responsibility for the consequential or incidental damages in the use of these products and systems described, including any warranty of merchantability or fitness. Information contained here can be for evaluation only. The marks and trade names appearing herein, whether registered or unregistered, are the property of Fibergrate Composite Structures Inc.

©Fibergrate Inc. 2018 Part No. 884305-03/23 - 1.0  
Printed in the USA

